

Border Lite Twin

Cat. No. BLT

Cat. No. BLT/R



The Border Lite Twin has two individual heads which can be aimed in different directions, making it ideal for path lighting, giving a wide spread of light with no upward projection. Each head has a fully adjustable arm, allowing 360 degree rotation and 0-90 degree elevation.

The Retro version, which is a mains option, avoids the need to bury a transformer. The 120/240-12 volt electronic transformer is built into the pole and is a double insulated safety isolating transformer, this changes the luminaire to an IP56 rating.

Ordering Information

Luminaire Type

BLT - Border Lite Twin
BLT/R - Border Lite Twin
Retro

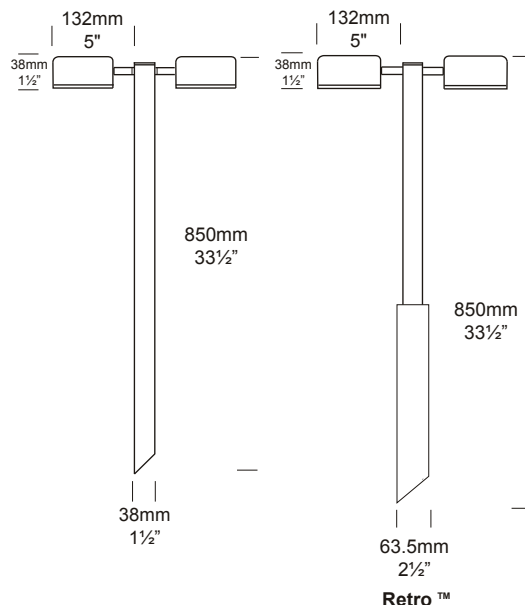
Material/Finish

BK - Black
BZ - Bronze
CT - Corten
DG - Dark Grey
OG - Olive Green
STAR - Silver Star
WB - White Birch
WH - White
SBZ - Solid Bronze
SS - Stainless Steel

Accessories

CJK150 - Cable Joint Kit
LENSBLC - Clear Lens
SSP/G - Super Spike

Ordering example: BLT BK - Border Lite Twin Black
BLT/R SS - Border Lite Twin Retro in Stainless Steel
LENSBLC - Clear Lens
(accessories ordered separately)



Luminaire Construction

CNC machined from one of the following metals:

Aluminium

Head: cast from virgin, high corrosion resistant CC401 low copper aluminium alloy, with chromate substrate and high UV resistant polyester powder coat.

Pole: 38.1mm (1½") x 850mm (33½") aluminium tube.

Retro Pole: 38.1mm (1½") x 400 (15¾") and 63.5mm (2½") x 450mm (17¾) aluminium tube.

Colours:

Black, Bronze, Corten, Dark Grey, Olive Green, Silver Star, White, White Birch.

Solid Bronze

Head: cast from LG2 Bronze.

Pole: 38.1mm (1½") x 850mm (33½") copper tube.

Retro Pole: 38.1mm (1½") x 400 (15¾") and 63.5mm (2½") x 450mm (17¾) copper tube.

316 Stainless Steel

Head: cast from 316 Stainless Steel.

Pole: 38.1mm (1½") x 850mm (33½") stainless steel tube.

Retro Pole: 38.1mm (1½") x 400 (15¾") and 63.5mm (2½") x 450mm (17¾) stainless steel tube.

Mounting

Pole is directly mounted into the earth or set in concrete.

Features

Lens

3mm frosted, tempered, shatter resistant glass with a life time warranty.

Gasket

Nytral rubber 150°C (302°F).

Lamp Holder

G4 - 350°C (662°F) ceramic multi contact lamp holder with 250°C (480°F) Teflon cables.

Accessories

Cable Joint Kit (Cat. CJK150). Not approved for USA/Canada.

Clear Lens (Cat. LENSBLC).


Super Spike (Cat. SSP/G).

Swivel

Aluminium and Solid Bronze luminaires - 360° rotation and 0-90° elevation, solid brass with anti rust spring.

Stainless Steel luminaires - 360° rotation and 0-90° elevation, full stainless steel construction.

Standards

IP56/66, UL1838, 

Luminaire Weight

12 volt - **Aluminium** - 1.100kg (2lb 6oz)

Solid Bronze - 2.700kg (5lb 15oz)

Stainless Steel - 2.400kg (5lb 4oz)

Retro - **Aluminium** - 2.400kg (5lb 4oz)

Solid Bronze - 4.200kg (9lb 4oz)

Stainless Steel - 3.700kg (8lb 2oz)

Power Supply

12 volt - Hunza Inground or Wall Mount Transformer: not included.

USA and Canada

Hunza Wall Mount Transformer: not included.

Retro - Hunza 110/240-12 volt ac potted electronic transformer built into the pole. Dimmable with a suitable leading edge dimmer.

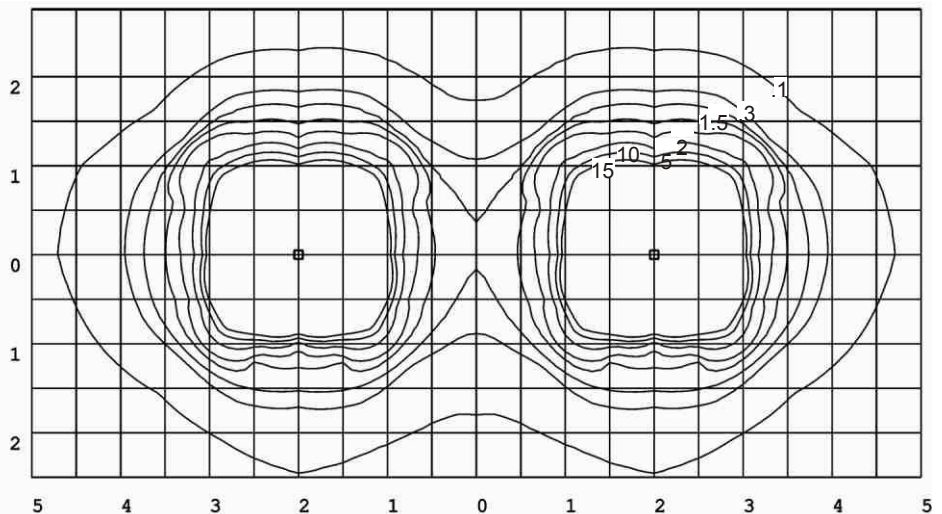
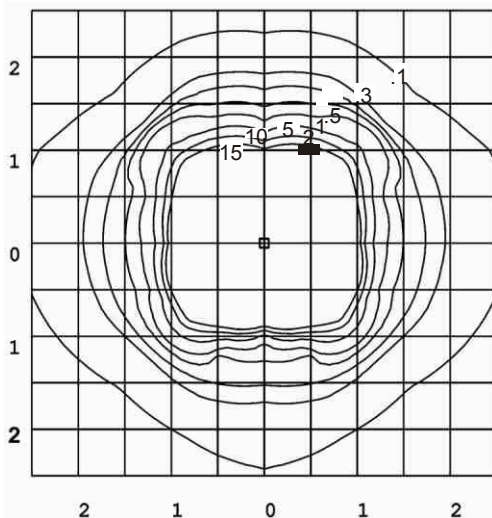
Lamp Options

G4 - 20 watt lamp max.

USA and Canada

G4 - 20 watt lamp max.

Border Lite G4 20 watt lamp lens height 600mm (24")



HUNZA™ PURE
OUTDOOR
LIGHTING

HUNZA FACTORY
130 Felton Mathew Ave
Glen Innes
Auckland 1072
New Zealand

Ph: 64-9-528 9471
Fax: 64-9-528 9361
hunza@hunza.co.nz
www.hunzalighting.com

INTERNATIONAL CONTACTS:
[http://www.hunzalighting.com/
contact.php](http://www.hunzalighting.com/contact.php)

Specification may change without notice.
Manufactured in New Zealand.
© 2016 Hunza Holdings Ltd.